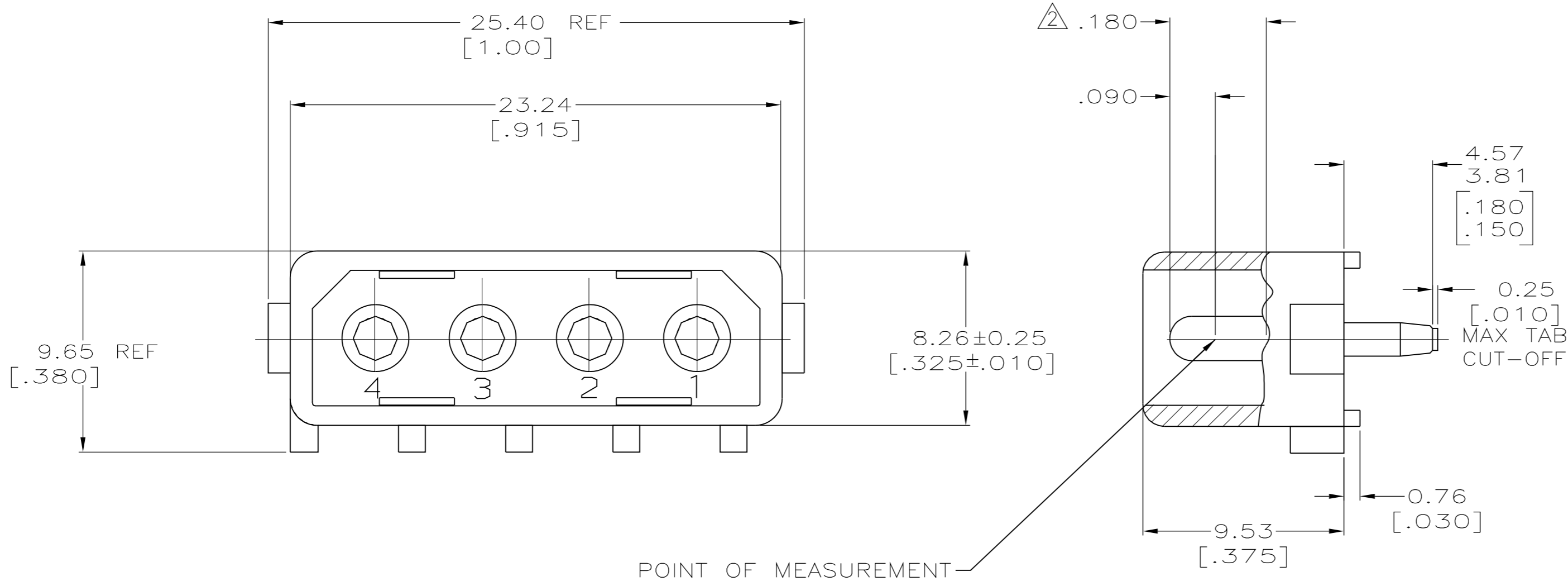
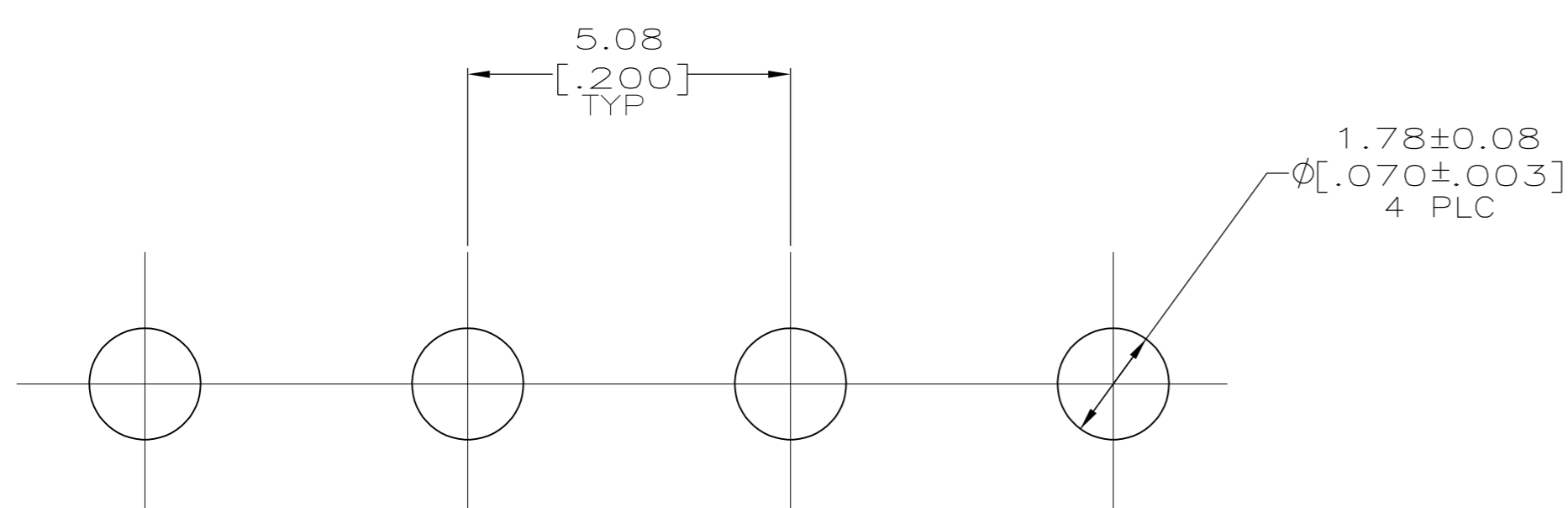


THIS DRAWING IS UNPUBLISHED. RELEASED FOR PUBLICATION
 © COPYRIGHT - By - ALL RIGHTS RESERVED.

LOC		DIST		REVISIONS			
P	LTR	DESCRIPTION		DATE	DWN	APVD	
		U2		REVISED PER ECO-11-004587	11MAR11	RK HMR	
		U3		REVISED PER ECR-13-008342	28OCT13	AV RP	



- PARTS MUST COMPLY WITH TE SOLDERABILITY SPECIFICATION 109-11-3.
- CONTACT IS PLATED OVERALL WITH 0.00127 [.000050] NICKEL, THEN 0.00076 [.000030] GOLD OVER CONTACT LENGTH INDICATED AND TIN PLATED ON SOLDER TAIL END.
- DIMENSIONS IN BRACKETS ARE IN INCHES.



PHOS BRZ, TIN LEAD	NYLON, UL94V-2	350211-3
PHOS BRZ, PRE-TIN	NYLON, UL94V-2	350211-2
PHOS BRZ, PRE-TIN	NYLON, UL94V-2	350211-1
PIN CONTACT MATERIAL & FINISH	HOUSING MATERIAL & COLOR	PART NUMBER

THIS DRAWING IS A CONTROLLED DOCUMENT.		DWN K. WHITAKER 27MAY2005	STE TE Connectivity	
DIMENSIONS: mm [INCHES]		CHK D. COLEY 27MAY2005		
TOLERANCES UNLESS OTHERWISE SPECIFIED:		APVD D. COLEY 27MAY2005	NAME HEADER ASSEMBLY, 4 CIRCUIT, COMMERCIAL MATE-N-LOK(TM)	
0 PLC ± -	1 PLC ± -	PRODUCT SPEC	SIZE	CAGE CODE
2 PLC ± 0.38 [.015]	3 PLC ± -	APPLICATION SPEC	A2	00779
4 PLC ± -	ANGLES ± 0°30'	WEIGHT	C=350211	RESTRICTED TO
MATERIAL SEE TABLE	FINISH SEE TABLE	CUSTOMER DRAWING	SCALE 5:1	SHEET 1 of 1
			REV U3	

ELECTROSÓN

350211